



# INTENSITY

NEXT GENERATION LED DRIVING LIGHTS

ARMP – ARB Pedestal Mount Kit

## Kit Contents

2 x Pedestal clamp	2 x M8 x 60mm D/Head Screw	6 x ARB M6 Security Nut
2 x Channel Bracket	2 x M8 x 20mm Coach Bolt	4 x M8 Nyloc Nut
2 x Mounting Plate	2 x M6 x 55mm Coach Bolt	4 x M8 Washer
2 x M6 x 20mm T-Bolt	2 x M6 x 20mm Coach Bolt	1 x ARB M6 Security Key

## Tools Required

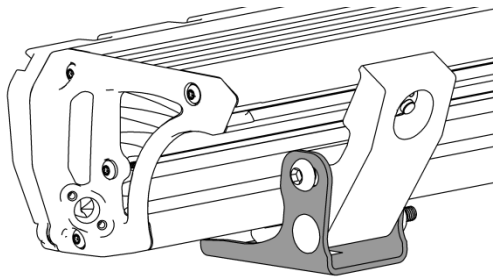
¼" spanner/ratchet with ¼" hex drive	Torque wrench (9-22 Nm / 80-195 Lb-In)
13mm hex socket or spanner	Drill with 8.5mm (11/32") & 6.5mm (1/4") drills
5mm hex key	Rust preventative paint

*NOTE: To prevent possibility of galling, lubricate bolt threads with a nickel or lanolin based lubricant such as Loctite® 771 or Lanotec™ before installing nuts.*

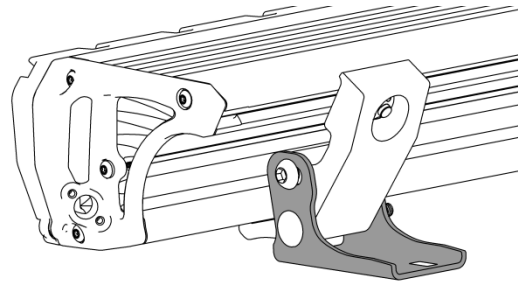
## Installation Instructions

1. The channel bracket can be fitted forward or rearward depending on installation position. For ARB roof racks, the channel bracket should be installed forward.

Channel Bracket Forward

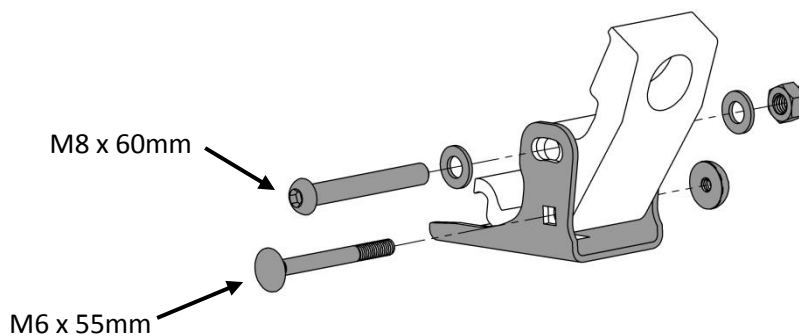


Channel Bracket Rearward

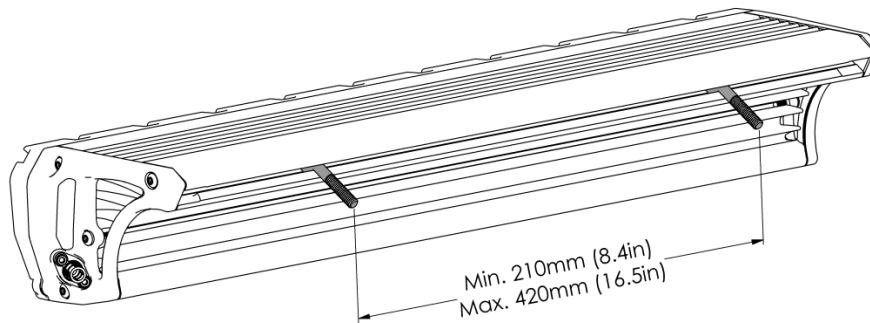


2. Install channel bracket onto pedestal clamp in desired orientation using the following fasteners. Leave fasteners finger tight at this stage.

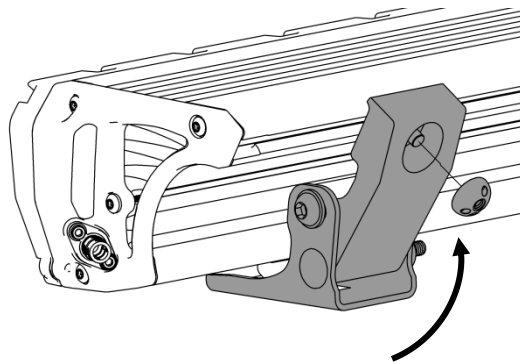
- 1 x M8 x 60mm dome head screw with M8 nylock nut and washers.
- 1 x M6 x 55mm coach bolt with ARB M6 security nut.



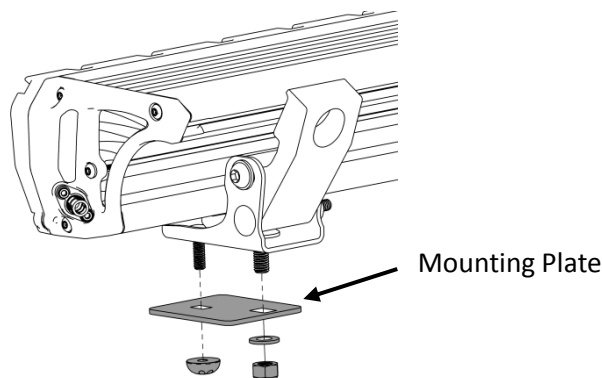
3. Insert 2 x M6 x 20mm T-bolts into top channel in light bar. Space T-bolts evenly about centre of light bar at a distance of between 210-420mm (8.4in - 16.5in).



4. Insert hook of each pedestal clamp assembly into lower channel in light bar. Rotate over T-bolt and secure using ARB M6 security nut.



5. Position light bar in mounting position and align with existing holes.  
*NOTE: If holes are not present in mounting surface, position light bar in final position and use to mark position of holes. Temporarily remove light bar and drill 2 x Ø8.5mm (11/32") and 2 x Ø6.5mm (1/4") holes. Deburr holes and treat raw edges with rust preventative paint.*
6. Secure light bar to surface using the following fasteners. Place mounting plate under surface before securing fasteners.
  - 1 x M8 x 20mm coach bolt with M8 nyloc nut and washer
  - 1 x M6 x 20mm coach bolt with ARB M6 security nut



7. Adjust position of light bar and tighten all fasteners to following torques

M6 security nut - 9 Nm / 80 Lb-In	M8 nyloc nut - 22 Nm / 195 Lb-In
-----------------------------------	----------------------------------